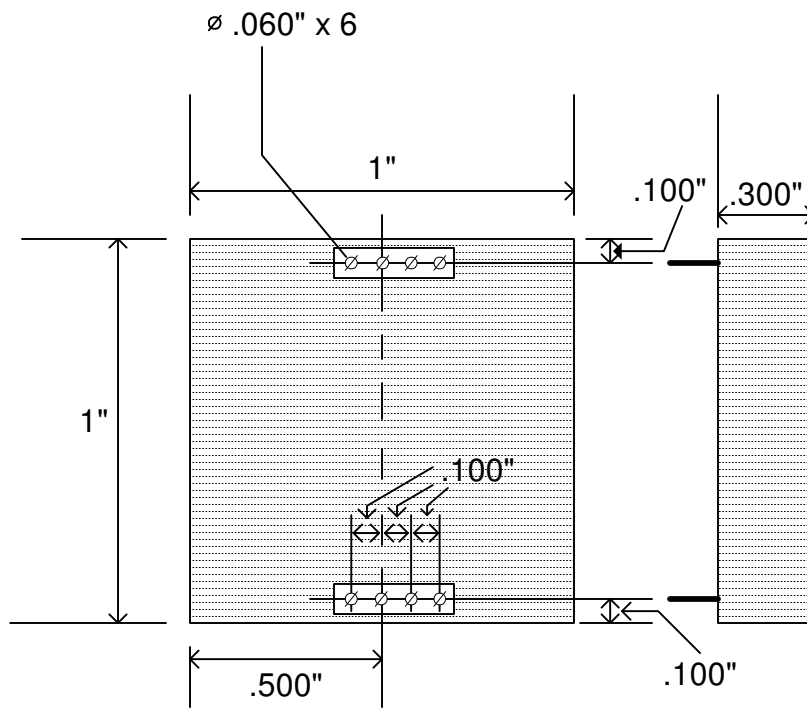
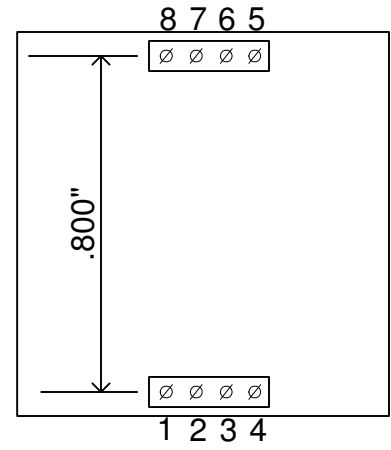


MECHANICAL DIMENSION FOR MODULES

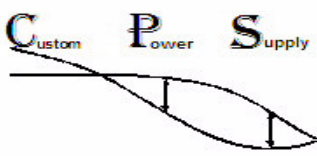


BOTTOM VIEW



BOTTOM VIEW

- PINOUT**
- 1 - IN
 - 2 - IN
 - 3 - SHUTDOWN
 - 4 - POWERGOOD
 - 5 - GROUND
 - 6 - GROUND
 - 7 - OUTPUT
 - 8 - OUTPUT

	MODULE MECHANICAL DRAWING			
	+2.5VDC - +5.5Vdc INPUT, +1.8Vdc OUTPUT, 3.8Watts, Shutdown, PowerGood			
	SIZE A	FSCM NO	DWG NO MDXXX-XXX	REV 1.1
CHRIS COMPTON, ENG.	SCALE		SHEET	1 OF 1